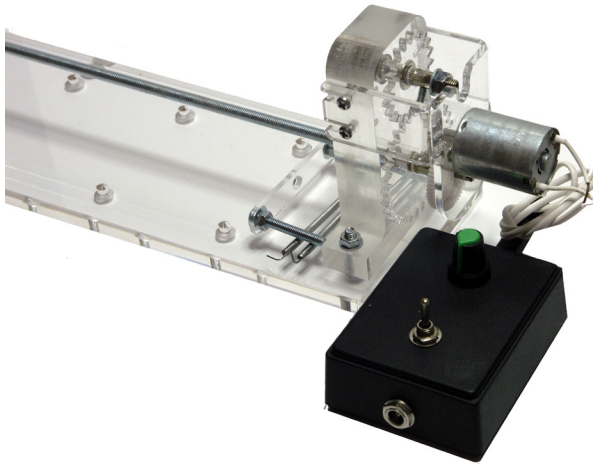


DOMANOFF
WORKSHOP

Power option for Serving machine 2.0



ShipWorkshop.com

Application _____

Power option (further - “drive”) is intended for automation of serving machine 2.0.

Package contents _____

1. Bracket 1 шт.
2. Motor 1 шт.
3. Drive gear 1 шт.
4. Control block 1 шт.
5. PSU 1 шт.
6. Screw 2.9*8 mm 4 шт.
7. Screw M3*5 mm 2 шт.
8. Nut M3 1 шт.
9. Washer M3 2 шт.

Assembly

If serving machine's cheeks are holed to receive drive bracket, you should skip items 1-2.

1. Place the bracket (1) to the serving machine's cheek and insert the transmission axle into the hole with its thin end. Mark positions of the holes (**Fig. 1**). Try to position the holes in the centre of the cheek's butt. Also try to position the bracket at a 90 degree angle relative to the cheek.
2. Drill 4 holes as marked. The holes' diameter should make 2.6 mm, the depth - 10 mm. (**Fig. 2**)

Figure 1.

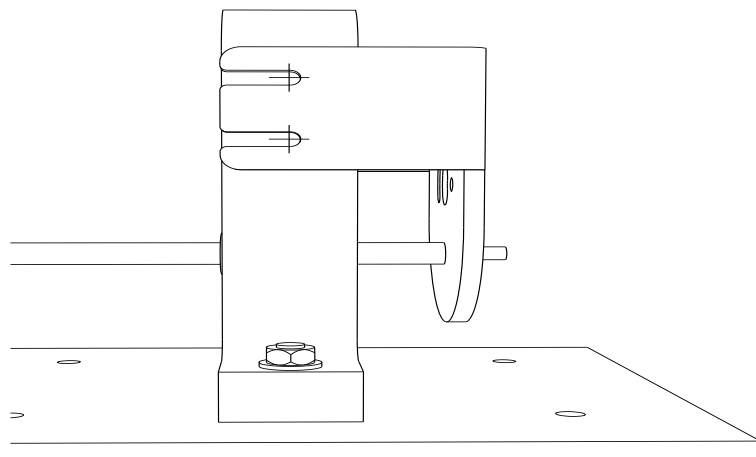
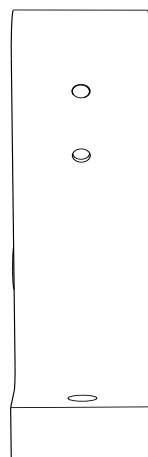


Figure 2.



- Put the drive gear (3) onto the transmission axle's thin end using washers (9). Tighten the nut (8). (*Fig. 3*)
- Put the transmission gear onto the axle. Do not fix it. (*Fig. 4*)
- Insert the axle with gears into the serving machine. (*Fig. 5*)

Figure 3.

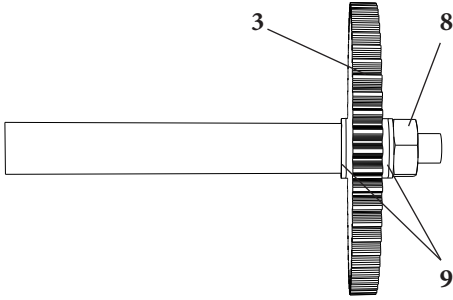


Figure 4.

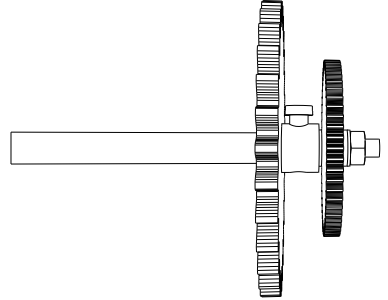
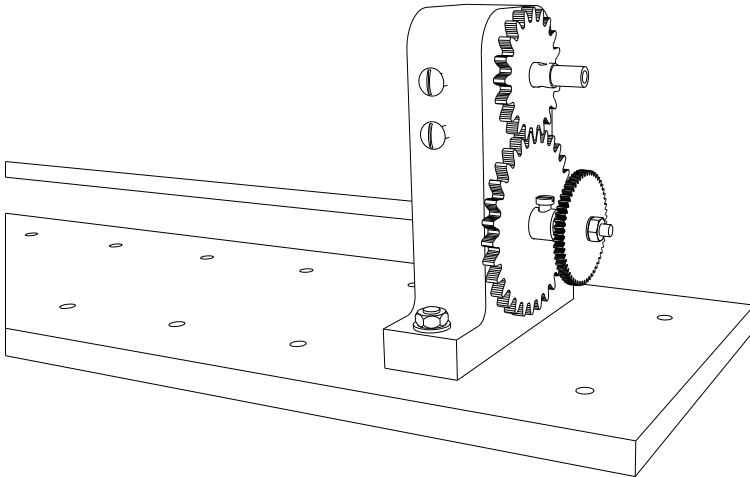
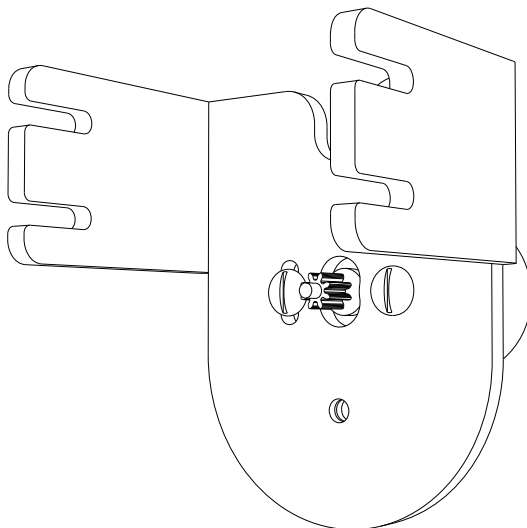


Figure 5.



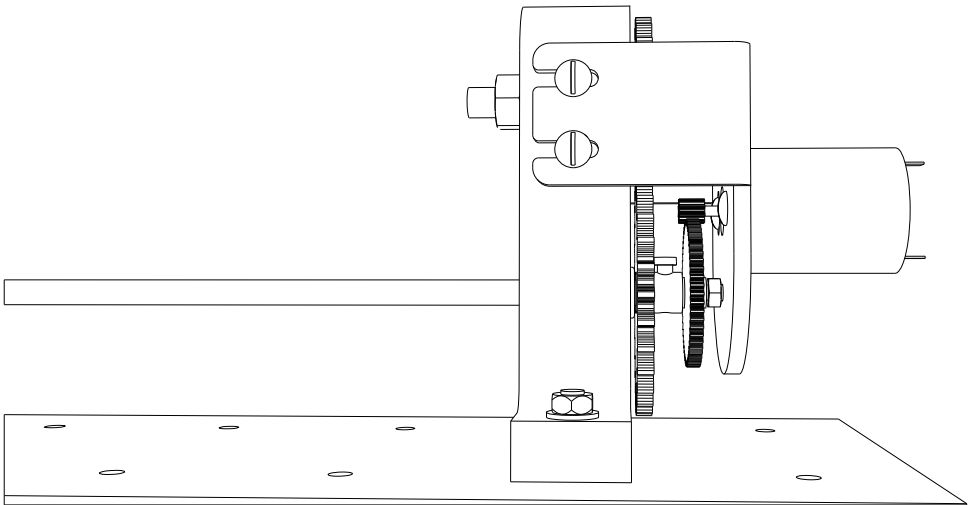
6. Mount the motor (2) onto the bracket (1), using screws (7). Tighten the screws so that the motor does not hang loose but is able to rotate round one of the screws. Set the motor into its topmost position. (**Fig. 6**)

Figure 6.



7. Mount the bracket (1) with motor (2) onto the serving machine's cheek and fix it with screws (6). Loosen the screws (6) and adjust the horizontal position of the motor so that the drive gear (3) is level with the motor gear. The result can also be achieved by moving the transmission axle along its centerline. Fix the transmission gear on the axle using its lock screw. (**Fig. 7**)
8. Adjust the motor gear and drive gear engagement by rotating the motor (2) round one of screws (7).
9. Remove the bracket (1) with motor (2) and tighten the screws (7), with the motor fixed in the desired position.
10. Mount the bracket (1) with motor (2) and adjust their position as described in item 7 (**Fig. 7**)
11. Rotate the transmission axle to check if the whole assemblage runs easily.

Figure 7.



Control block

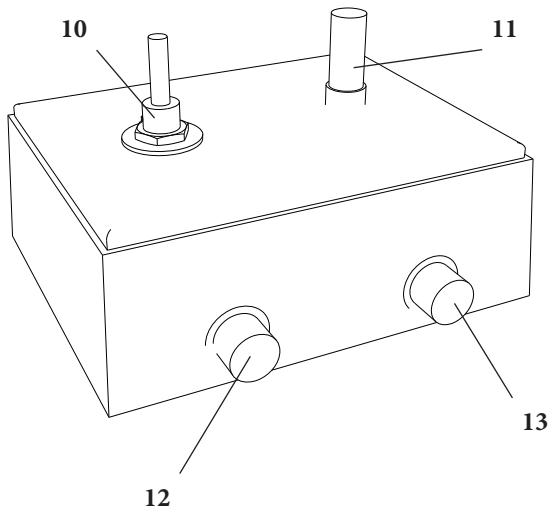
The block contains the following control elements and switches (**Fig. 8**):

1. Direction switch (10)
2. Rotating speed knob (11)
3. Power socket (12)
4. Motor connection socket (13)

Sockets (12) and (13) differ to avoid wrong connections.

ATTENTION. Before getting started set the switch (10) to its mid position and the knob (11) to its leftmost position.

Figure 8.



ATTENTION!
**The design of the machine may differ from
that shown in this manual!**

If necessary, remove the protective film from the plastic parts.

