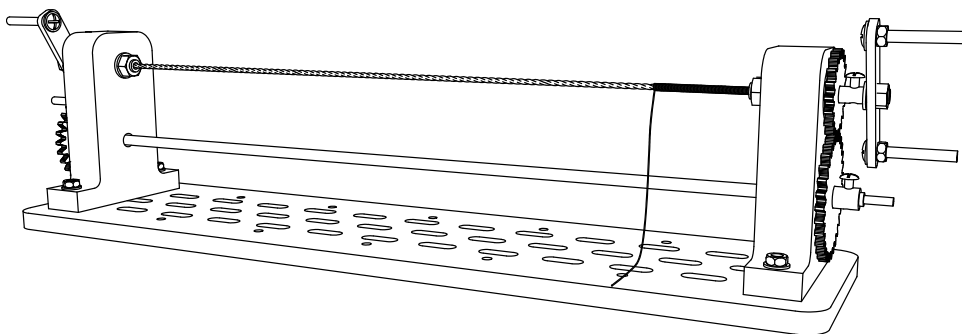


**DOMANOFF**  
WORKSHOP

# Serving Machine

VERSION 2.1



## Basic features

Serving machine is intended for:

- serving ropes,
- making beackets,
- stropping blocks,
- making eye-splices,
- laying seizings,
- making stay mouse (diamond knot),
- other jobs where one rope is to be wound round the other.

Special design allows you to serve any ropes up to "endless"!

## Package Contents

- Serving machine with ball bearings.
- Rods for making beackets.
- Alligator clips.
- Making stay mouse wheels.

## Machine parts

1. Baseboard .....1 pcs.
2. Cheek with ball bearings .....2 pcs.
3. Main axle with master gear ...2 pcs.
4. Transmission gear .....2 pcs.
5. Transmission axle.....1 pcs.
6. Handle.....2 pcs.

## Assembly

1. Assemble handles (6), using screws M4×30 and nuts M4 (**fig. 2**).
2. Put handle (6) on the thin end of the main axle, having placed M5 washers in between. Fasten with M5 nut (**fig. 2**).
3. Set cheeks (2) on the baseboard (1) at a distance required. Fasten them using M4x25 countersunk screws and M4 nuts and washers (**fig. 1**).
4. Insert transmission axle (5) into lower ball bearing of the cheeks (2) (**fig. 1**).
5. Put transmission gears (4) on both ends of the transmission axle (5) from the outer side of the cheeks (2) having placed M5 washers in between. The sleeve and M3 retainer screw must remain outside the gear (**fig. 2**).
6. Make sure both transmission gears (4) engage master gears (3). Fix them in position using M3 screws in sleeves of transmission gears (**fig. 2**).
7. Depending on type of jobs and if required, insert hooked rods into main axles (3). Rods can be fixed in position using M3 fixing rope screw on the main axle (**fig. 2**).
8. To make diamond knot replace M6 lock nuts with making stay mouse wheels provided (**fig. 3**).

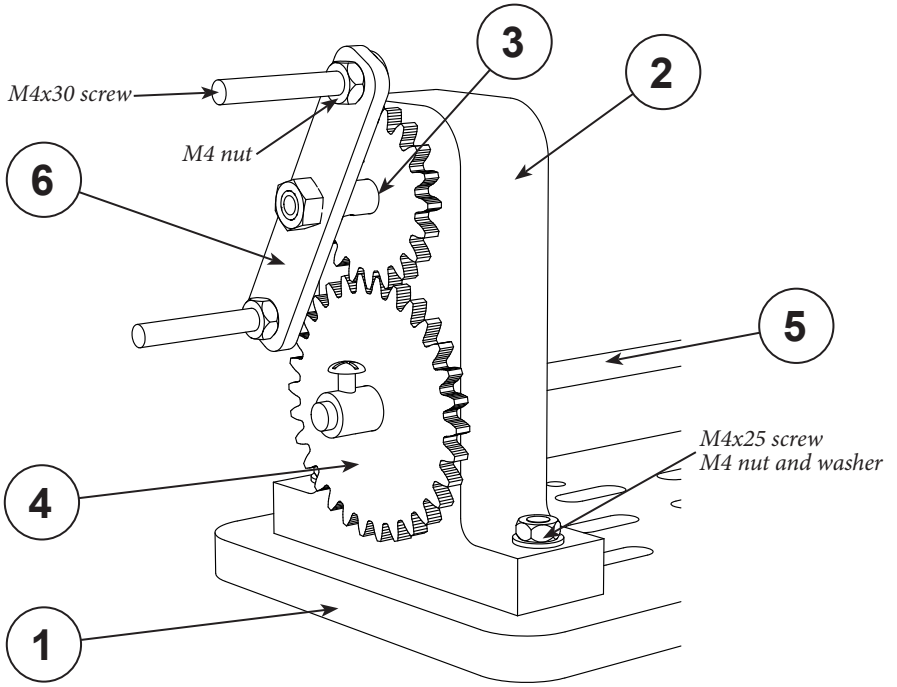


Figure 1.

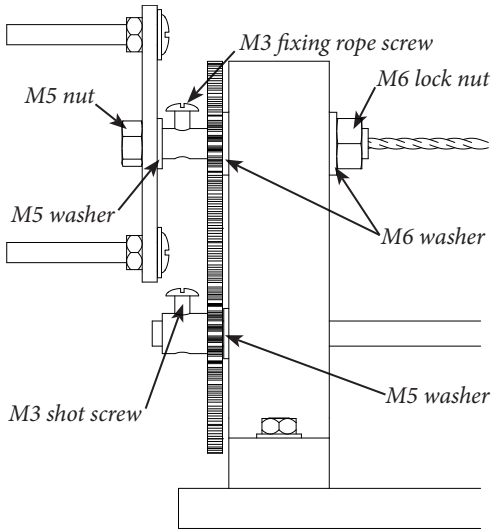


Figure 2.

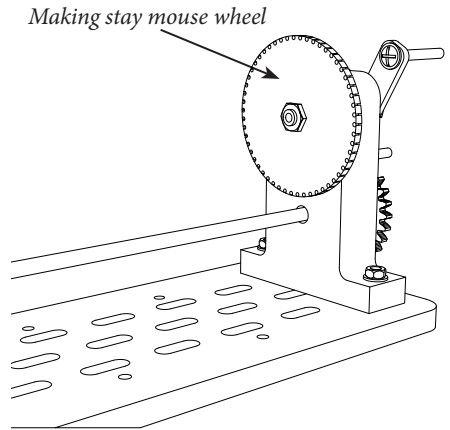


Figure 3.

**ATTENTION!**  
**The design of the machine may differ from  
that shown in this manual!**

---

If necessary, remove the protective film from the plastic parts

